

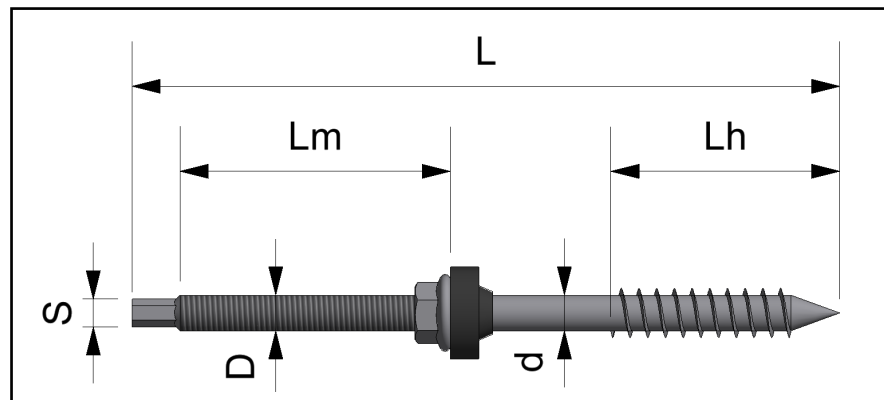
Datasheet **SS hanger bolts for wooden purlins**

Technical specifications

- Stainless steel hanger bolt for fixation into wooden purlins on corrugated and trapezoidal roofs.
- With EPDM washer for watertight seal.

Article information

Item number	Description	d [mm]	D	L [mm]	Lh [mm]	Lm [mm]	S
747915	SS hanger bolt M10x200mm	10	M10	200	67	85	SW7
747917	SS hanger bolt M10x250mm	10	M10	250	67	85	SW7
747918	SS hanger bolt M10x300mm	10	M10	300	67	150	SW7
747920	SS hanger bolt M12x250mm	11,5	M12	250	100	100	SW9
747922	SS hanger bolt M12x350mm	11,5	M12	350	100	195	SW9



Use

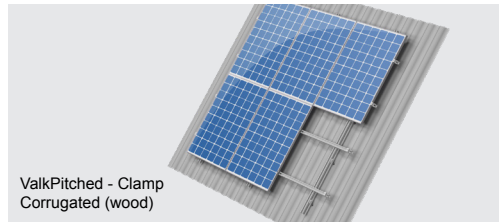
- The building authority approval should always be noted.
- Pre-drilling is required for the wooden substructures. The required diameter for the drill is shown in the table below:

Screw diameter d	Pre-drilling Ø	Minimal screw depth
10 mm	7,0 mm	40 mm
11,5 mm	8,4 mm	48 mm

Comment: The specific drill diameters are often not kept on stock at your tools supplier and therefore a delivery time needs to be taken into account. Please keep this in mind for the planning of the installation.

Wood quality

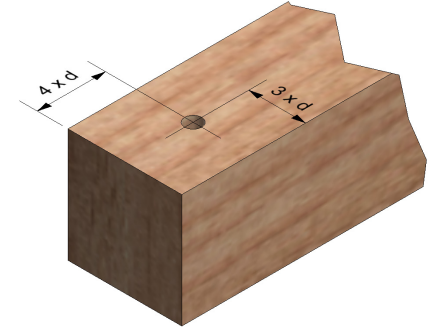
The hanger bolt can be used for wooden purlins, that are in strength class C24 or higher, in line with DIN 1052:2008-12.



Datasheet **SS hanger bolts for wooden purlins**

Edge distance

Eurocode EN 1995-1-1, section 8.5.1 describes the distance from the centre of the hanger bolt to the edge of the wooden purlin should be at least according to the dimensions on the right:



Screw depth

The depth of the screw into the wood, determines the maximum load bearing capacity per hanger bolt. The table below shows the maximum load bearing capacity for the minimal required screw depth. The load value below is used for the strength calculations in the ValkPVplanner.

D	Minimal screw depth into the wood [mm]	Max. load bearing capacity per hanger bolt [N]
M10	40	2400
M12	48	3460

Hanger bolt clamp

For the mounting of the profiles on the hanger bolts, Valk Solar Systems has developed a special aluminium clamp: 721100. This clamp is supplied with hammerhead bolt and nut pre-mounted for quick installation.

