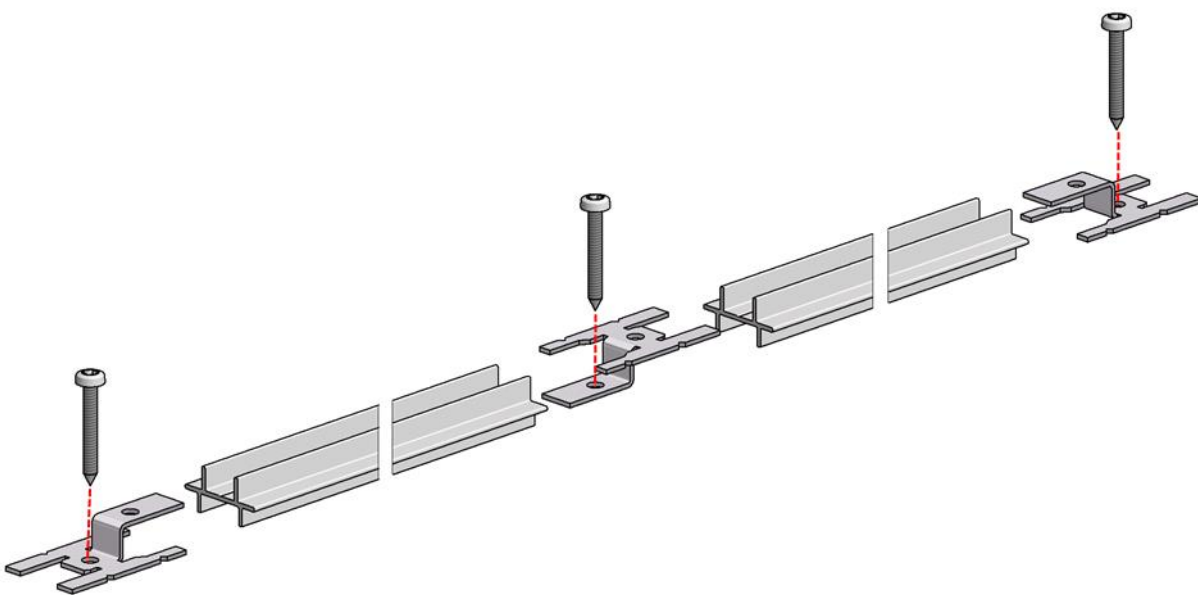
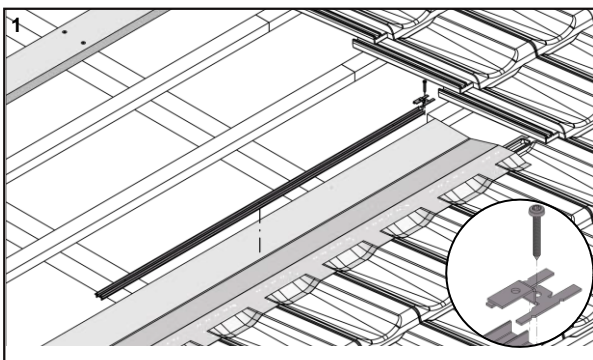


# Solar systems from Schweizer: Quick installation guide – Solrif® eaves profile.

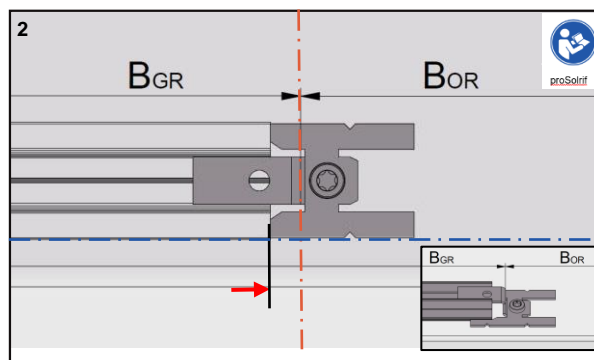
## Overview



## Installation process



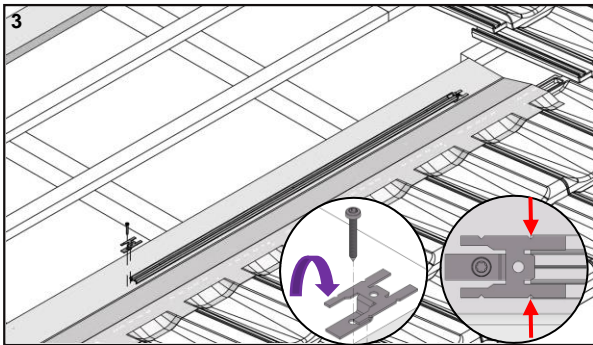
Place eaves profile and clip.



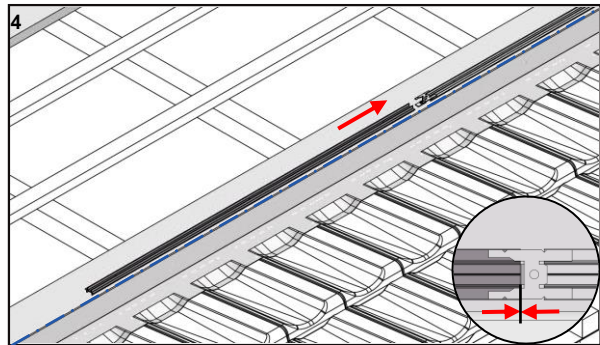
Align the eaves profile with the reference (blue) and  $B_{OR}$ . Fasten clip with screw. Tighten the screw. Slide the eaves up to the limit of the clip.

# Solar systems from Schweizer:

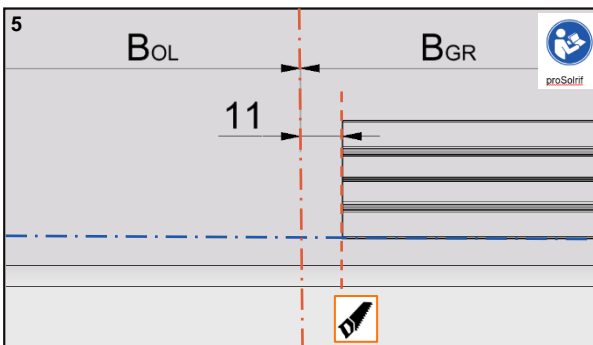
## Quick installation guide – Solrif® eaves profile.



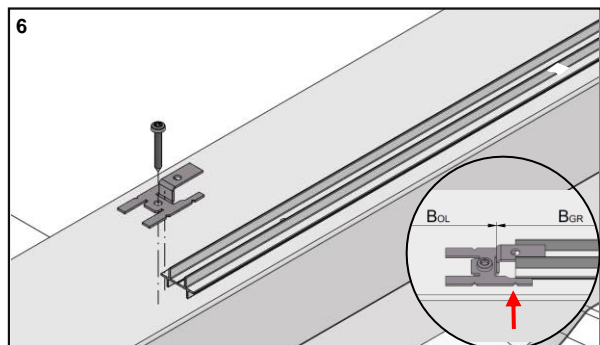
To the left of the eaves profile: Turn the fasteners, align them and screw them tight. Respect the position marks so that there is sufficient play for the length expansion of the eaves profile.



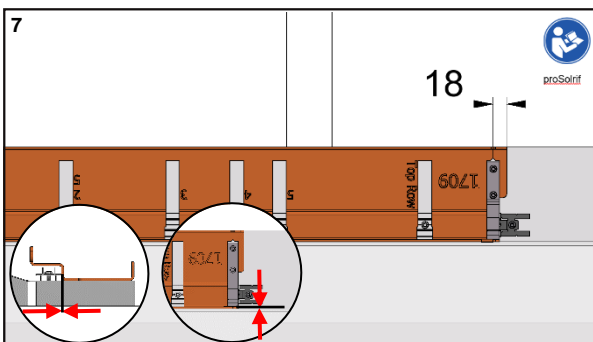
Slide the next eaves profile underneath the clips to the stop and align it with the reference. Repeat the step until the end of the PV array.



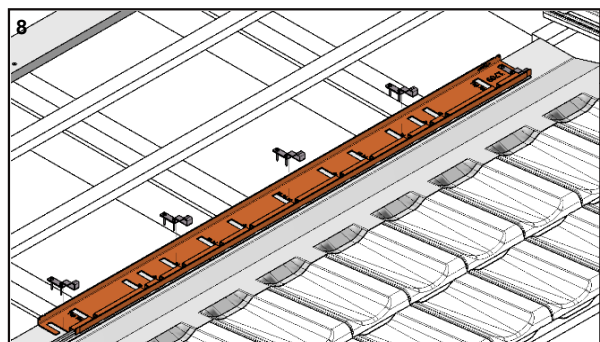
Shorten last eaves profile by min. 11 mm with respect to BGR.



Position and screw final clip (upright). Fasten screw tight. Observe positioning marks on clip.



Place the mounting gauge on the eaves profile. Set profile clamp with mounting gauge.



Screw on additional mounting brackets for profile and glass (no. as per project report).