

# Solar systems by Schweizer: Short installation manual – Solrif®

Additional information for the mounting of inner corners



## Scope of application

These Short installation manual form part of the currently valid 'Installation manual PV Roof Integration Solrif®' of 6.5.2019.

They describe a partial roof solution and can also be applied by analogy for whole-roof solutions.



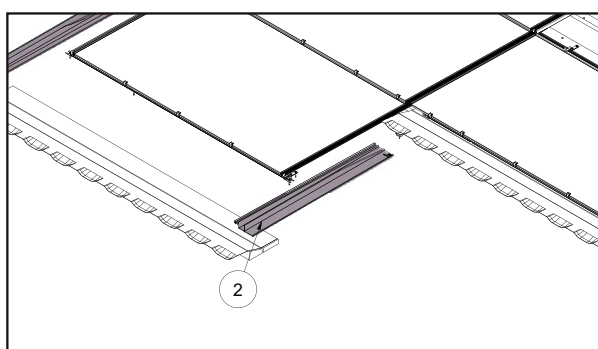
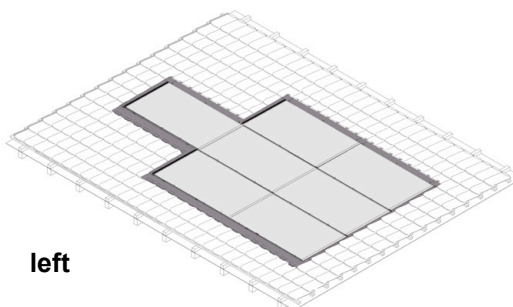
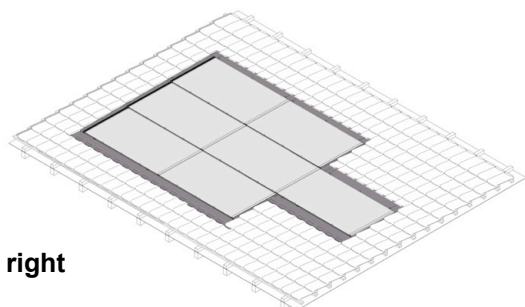
This project has received funding from the *European Union's Horizon 2020 research and innovation programme* under grant agreement N° 817991

# Solar systems by Schweizer:

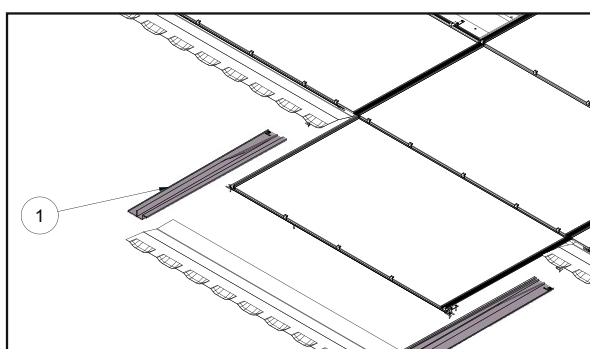
## Short installation manual – Solrif®

Additional information for the mounting of inner corners

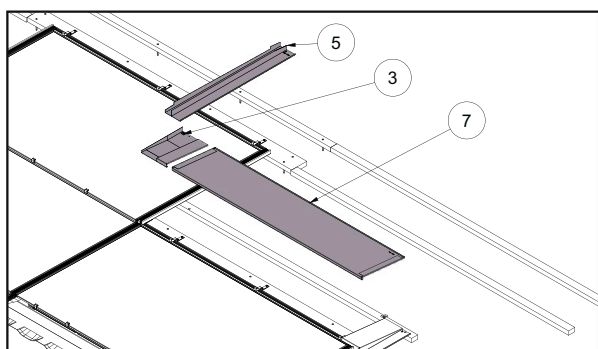
### Mounting inner corners



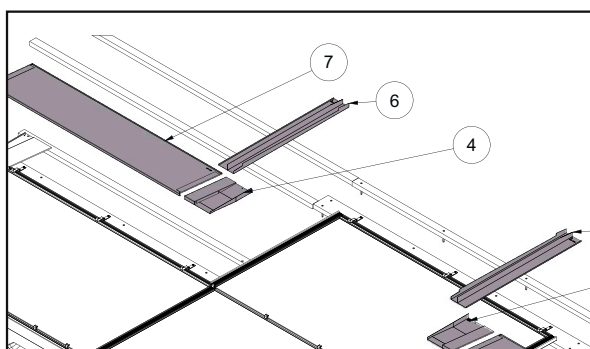
Inner corner bottom right (page 3)



Inner corner bottom left (page 5)



Inner corner top right (page 7)



Inner corner top left (page 9)

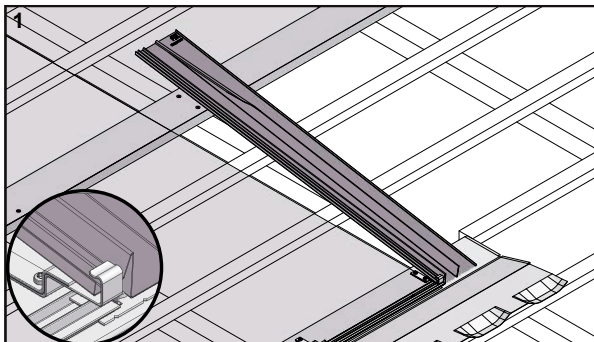
- ① Side flashing IL
- ② Side flashing IR
- ③ Corner flashing IR
- ④ Corner flashing IL

- ⑤ Short aluminium side flashing right
- ⑥ Aluminium side flashing left
- ⑦ Short aluminium top flashing

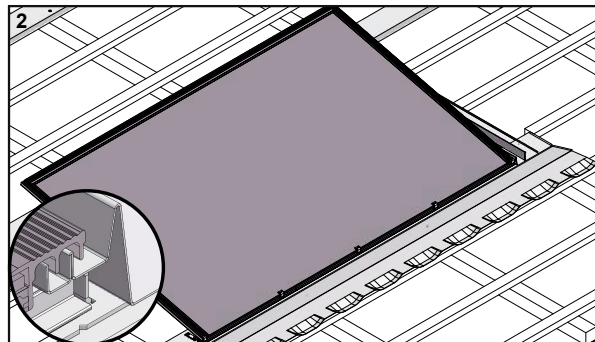
# Solar systems by Schweizer: Short installation manual – Solrif®

Additional information for the mounting of inner corners

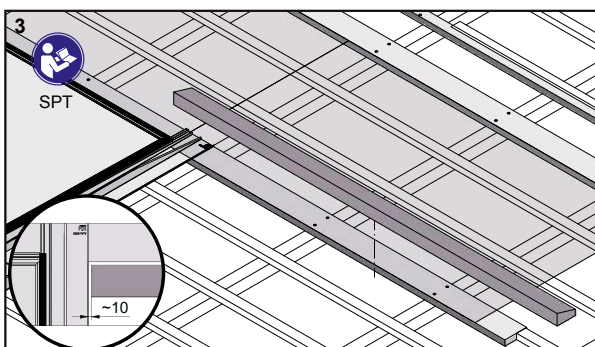
## Corner bottom right



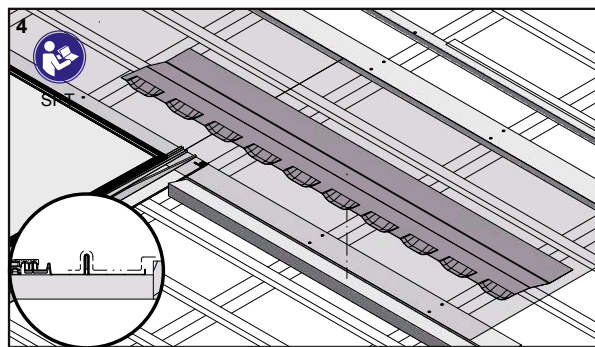
Place side flashing IR inner right in position.



Suspend module in side flashing.



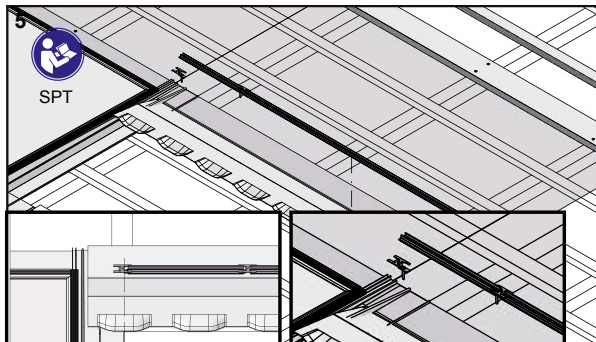
Position wedge plank for corner module.



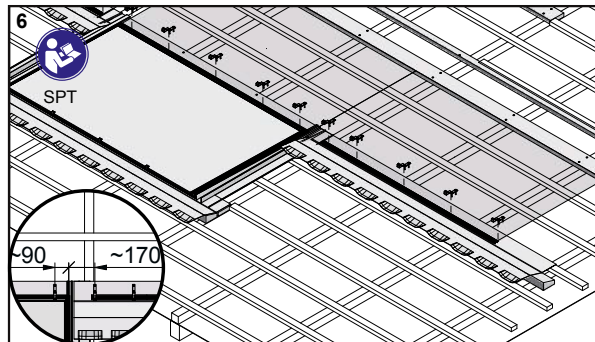
Lay connecting sheet  
and put it over side flashing.

# Solar systems by Schweizer: Short installation manual – Solrif®

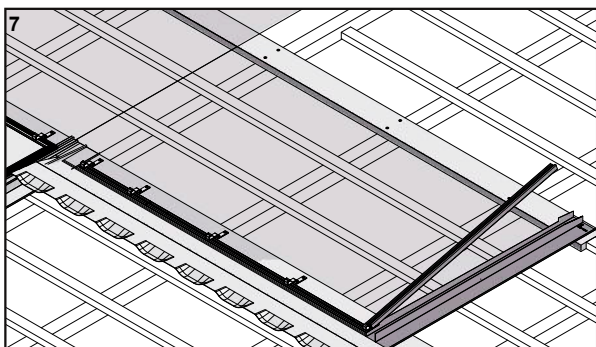
Additional information for the mounting of inner corners



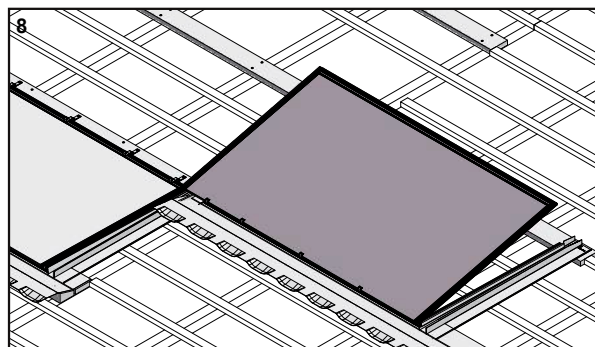
Fasten eaves profile (left to right).



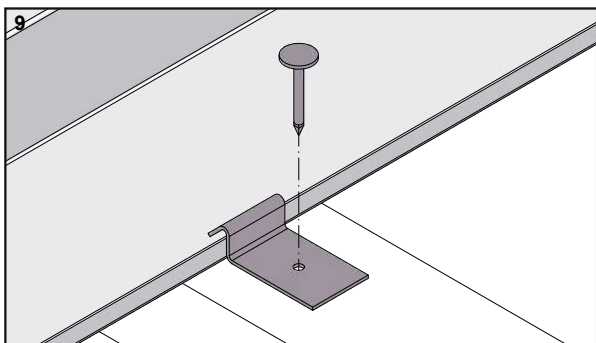
Position mounting clamp.



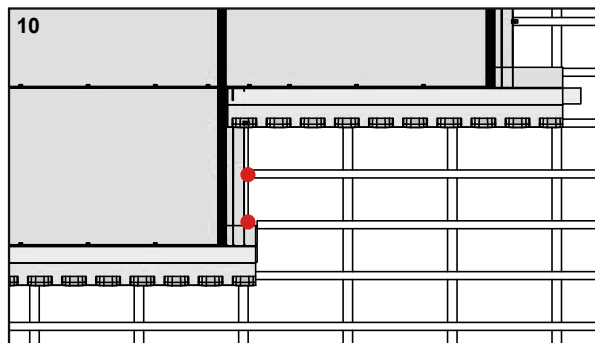
Mount side flashing and flashing profile right.



Start module row.



Apply fixing for flashing.

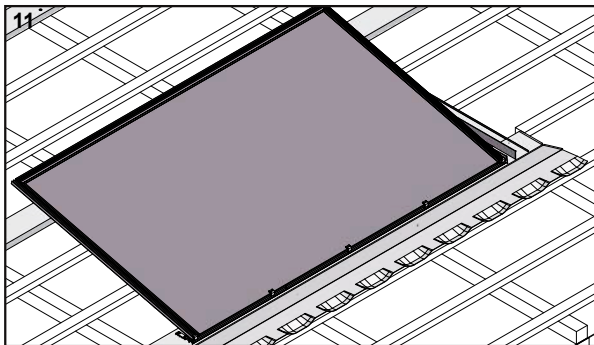


Positions of fixing for flashing.

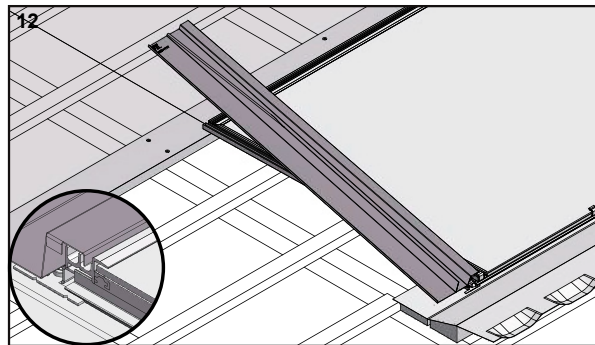
# Solar systems by Schweizer: Short installation manual – Solrif®

Additional information for the mounting of inner corners

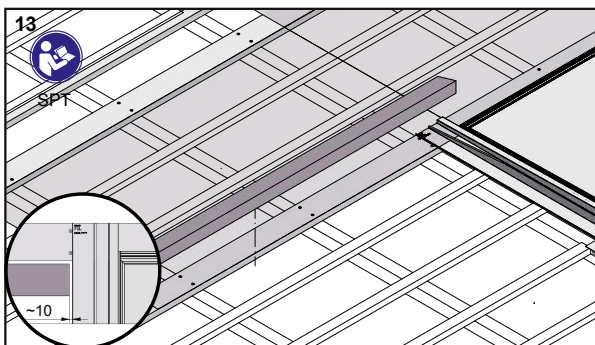
## Corner bottom left



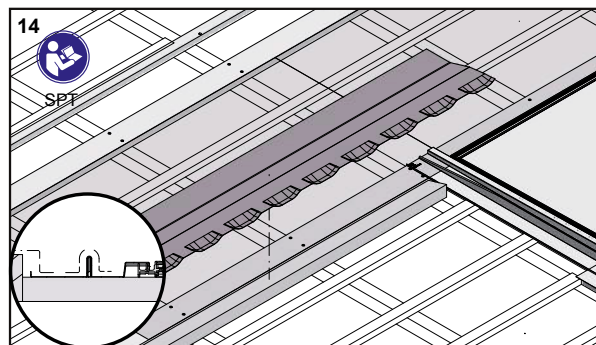
Lay module.



Suspend side flashing IL inner left and mounting clamp in the module.



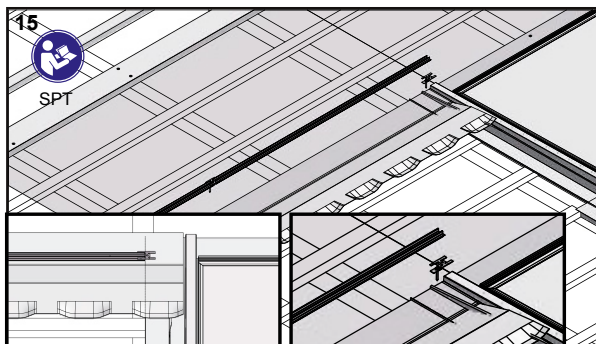
Position wedge plank for corner module.



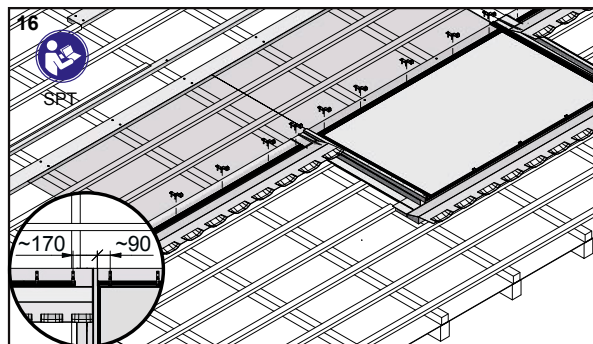
Lay connecting sheet and put over the side flashing.

# Solar systems by Schweizer: Short installation manual – Solrif®

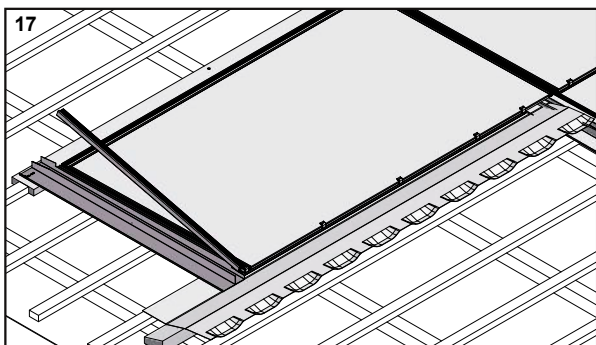
Additional information for the mounting of inner corners



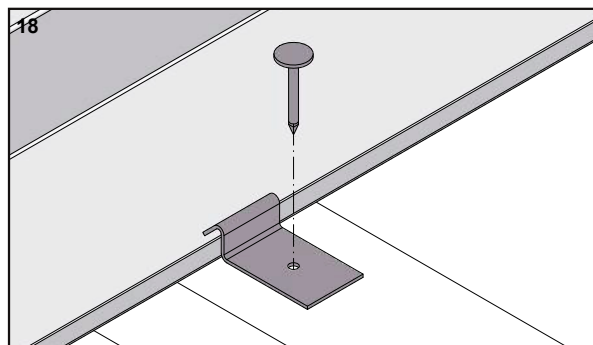
Fasten eaves profile.



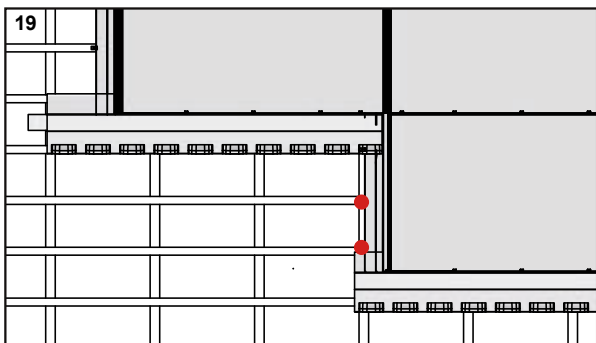
Position mounting clamp.



Lay modules and mount side flashing incl. flashing profile left.



Apply fixing for flashing.

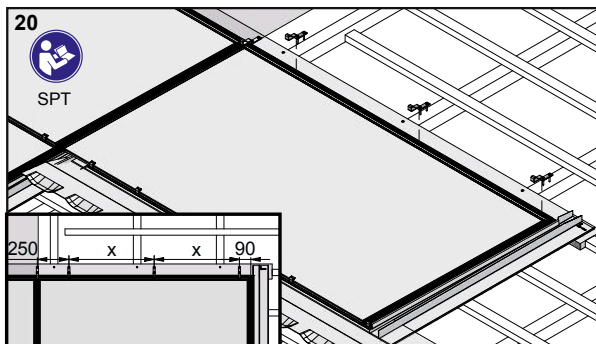


Positions of fixing for flashing.

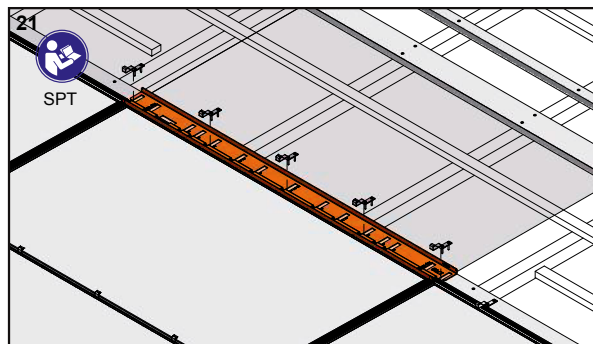
# Solar systems by Schweizer: Short installation manual – Solrif®

Additional information for the mounting of inner corners

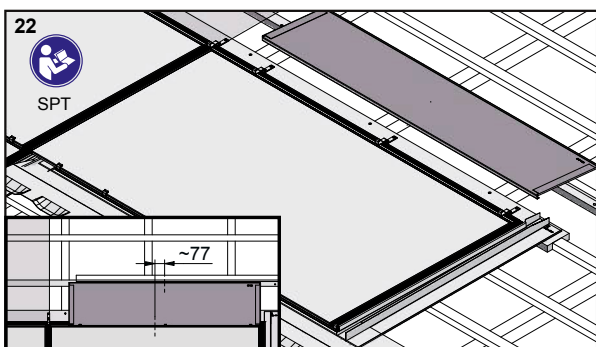
## Corner top right



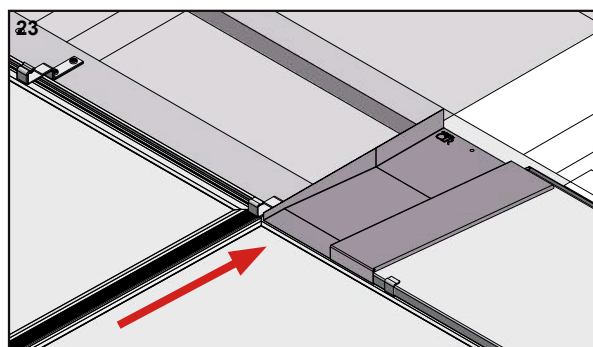
Place mounting bracket on the corner module.



Position remaining mounting brackets.



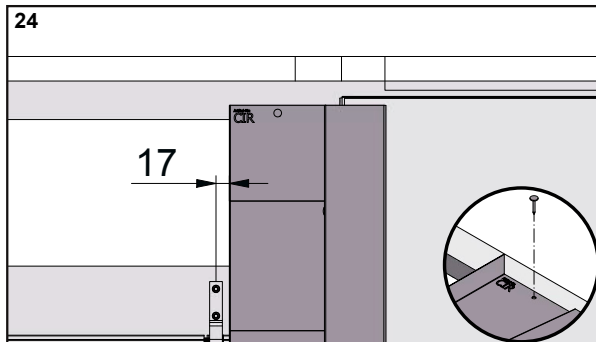
Suspend aluminium top flashing for corner module.



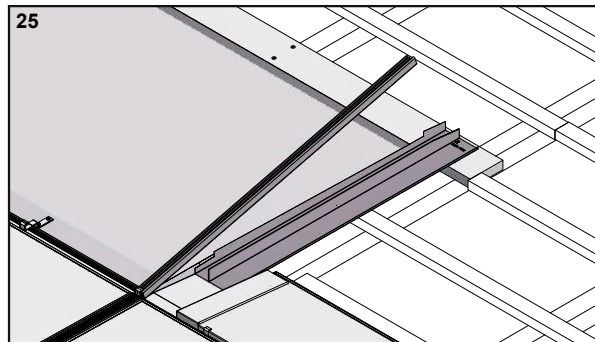
Insert and fix the corner flashing right.

# Solar systems by Schweizer: Short installation manual – Solrif®

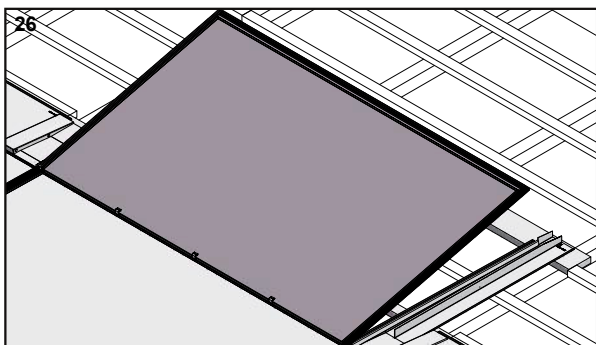
Additional information for the mounting of inner corners



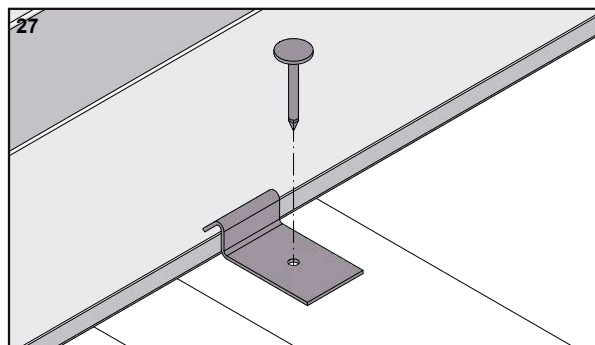
Position of corner flashing right.



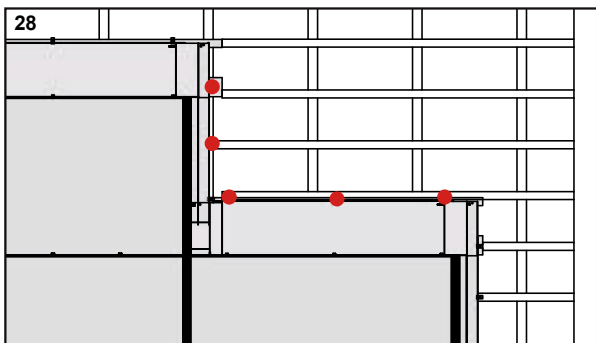
Mount short side flashing and edge profile.



Suspend modules.



Apply fixings for flashing.



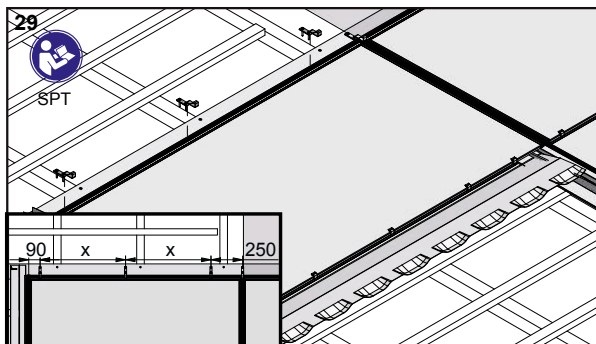
Positions of fixings for flashing.



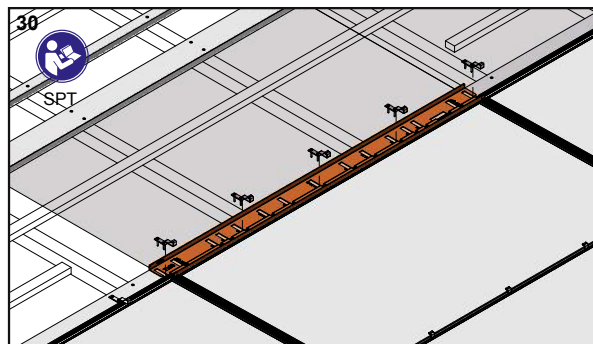
# Solar systems by Schweizer: Short installation manual – Solrif®

Additional information for the mounting of inner corners

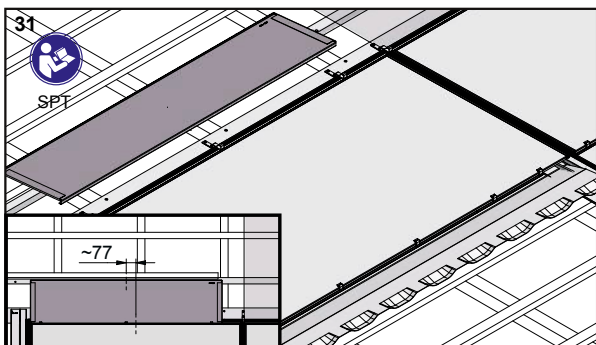
## Corner top left



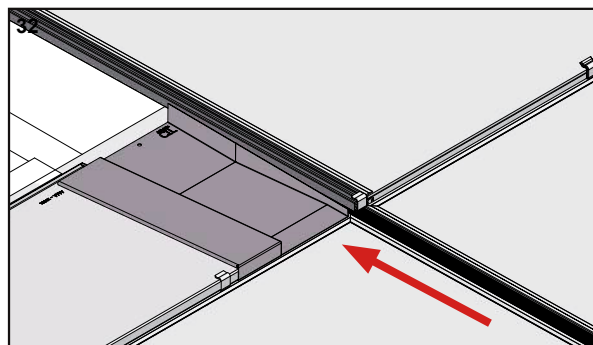
Place mounting clamp on corner module.



Position remaining mounting clamps.



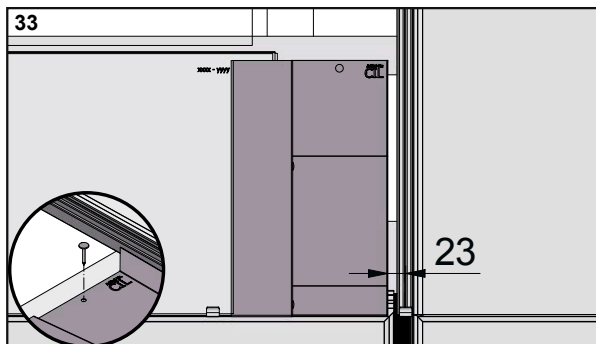
Suspend aluminium top flashing for corner module.



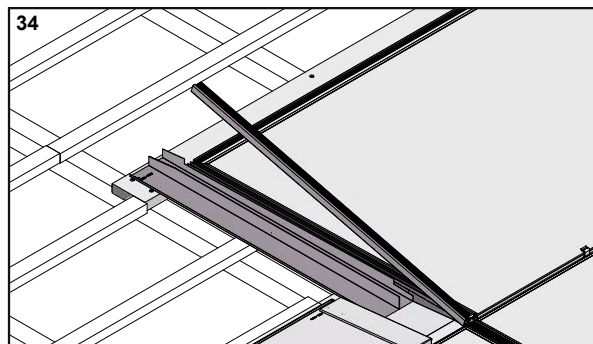
Insert corner flashing right.

# Solar systems by Schweizer: Short installation manual – Solrif®

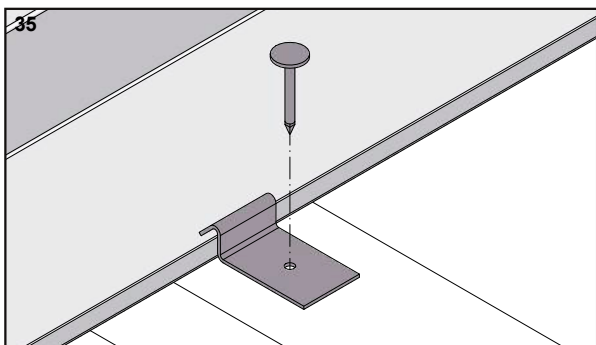
Additional information for the mounting of inner corners



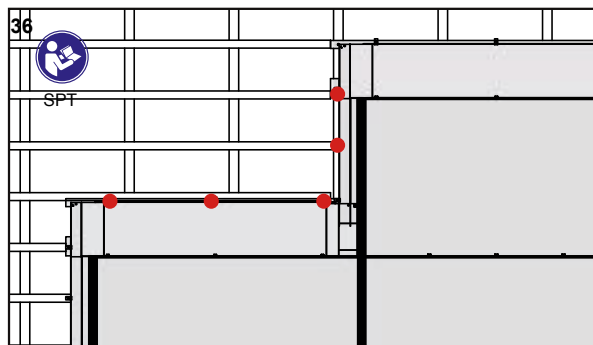
Position of corner flashing left.



Mount short side flashing and edge profile.



Apply fixings for flashing.



Positions of fixings for flashing.