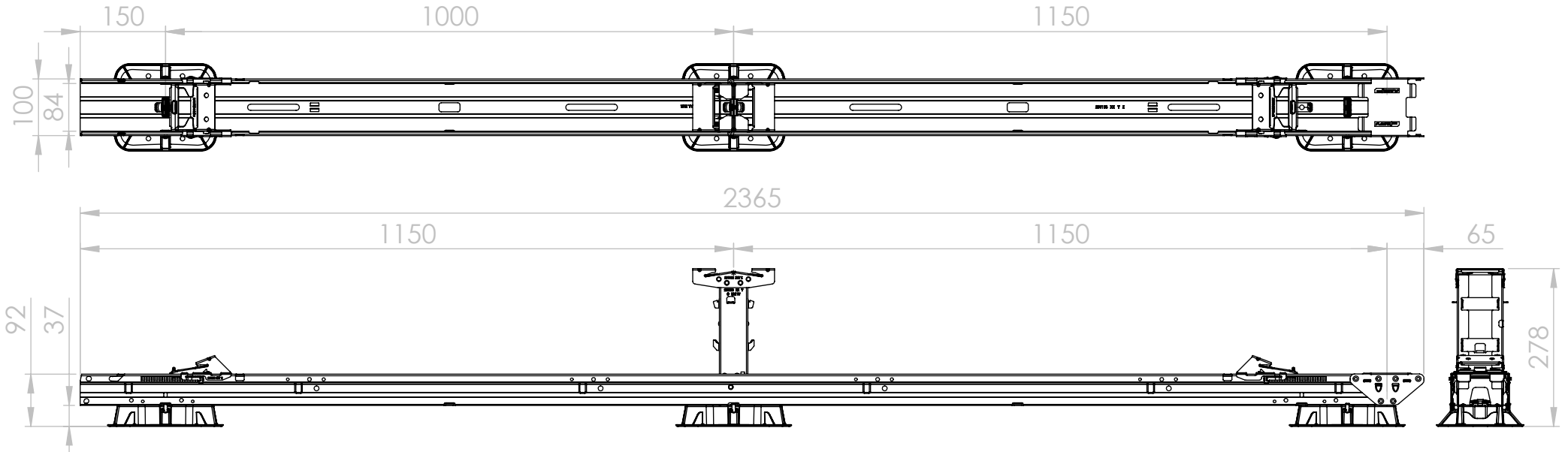
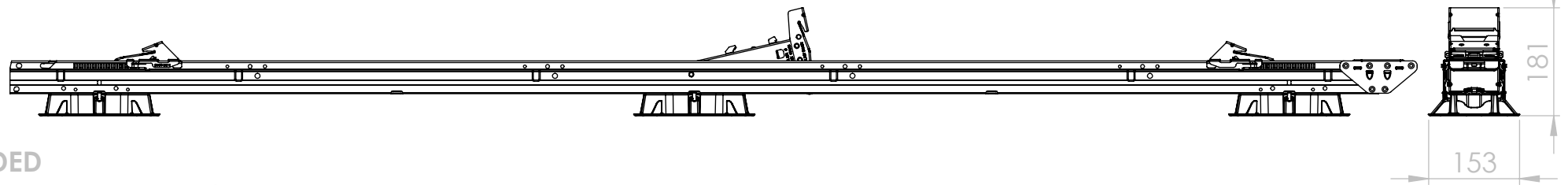


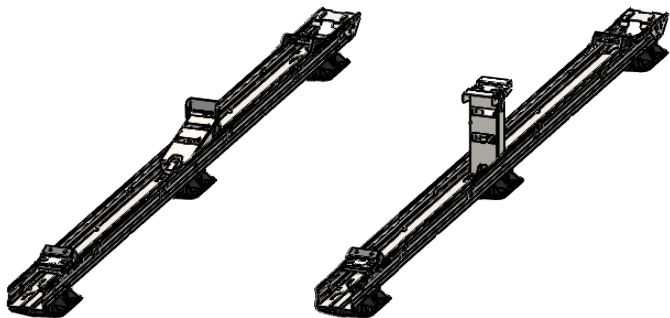
COMMERCIAL DRAWING



UNFOLDED




FOLDED



FOLDED

UNFOLDED

	PRODUCT: Wave Dual Unit 2P	
	ARTICLE NUMBER: 1009147	WEIGHT: 4.6Kg
MATERIAL: Steel / Plastic	RELEASE DATE: 16-06-2023	
ENGINEERING ID: 701098	DISCLAIMER: NO RIGHTS CAN BE DERIVED FROM THE INFORMATION PROVIDED BY THIS DOCUMENT	