



## AVANCIS TECHNICAL HANDBOOK SKALA

Sales, AVANCIS GMBH

FOR INTERNAL USE ONLY

Introducing the SKALA module

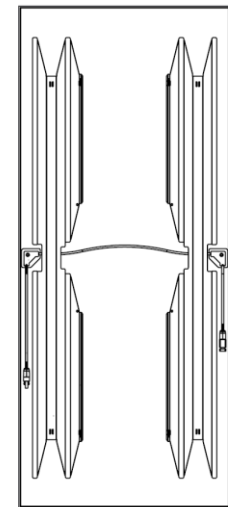
## DATASHEET SKALA MODULE

### Mechanical Specifications

SKALA BLACK	Value
External dimensions	1,587 x 664 mm <sup>2</sup>
Thickness	38 mm
Weight	17 kg
Cell type	CIGS
Frame	none
Front cover	3.2 mm tempered glass
Design load (safety factor 1.5)	upward 1600 Pa   downward 3400 Pa
Junction box protection class	IP67
Dimensions of the junction boxes	60 × 60 × 11.5 mm <sup>3</sup>
Cable lengths (- plug   + socket)	200   320 mm
Cable cross section	2.5 mm <sup>2</sup>
Connector type	Amphenol Helios H4
Fire rating	Class C (ANSI/UL 790:2004)



664 mm



1587 mm

Backside of the module with backrail system

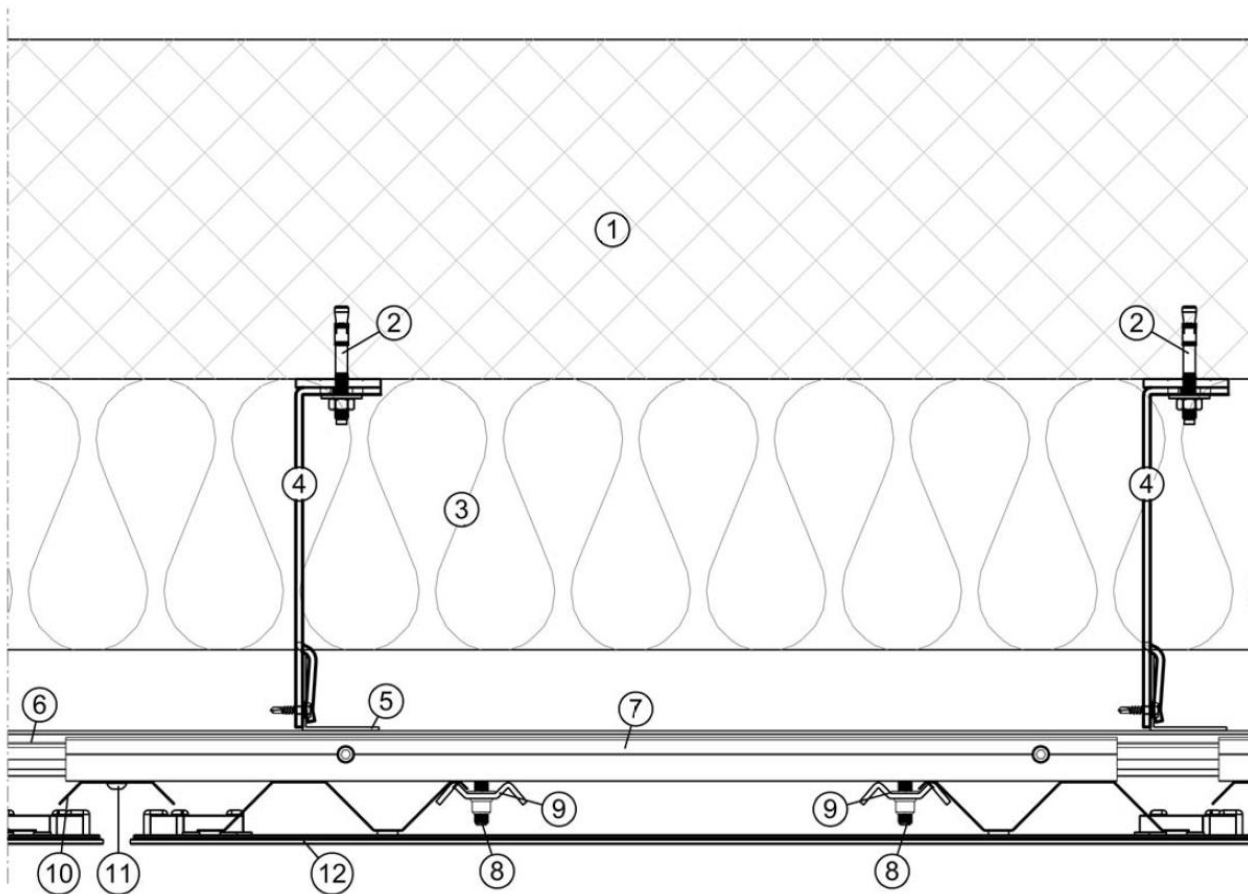


- This datasheet is valid for product variant 4.4.
- Design qualification and type approval: IEC 61215:2016
- Safety qualification: IEC 61730:2016

Substructure system

## BACKRAIL AND AGRAFFE SYSTEM

*Portrait situation – technical drawing:*



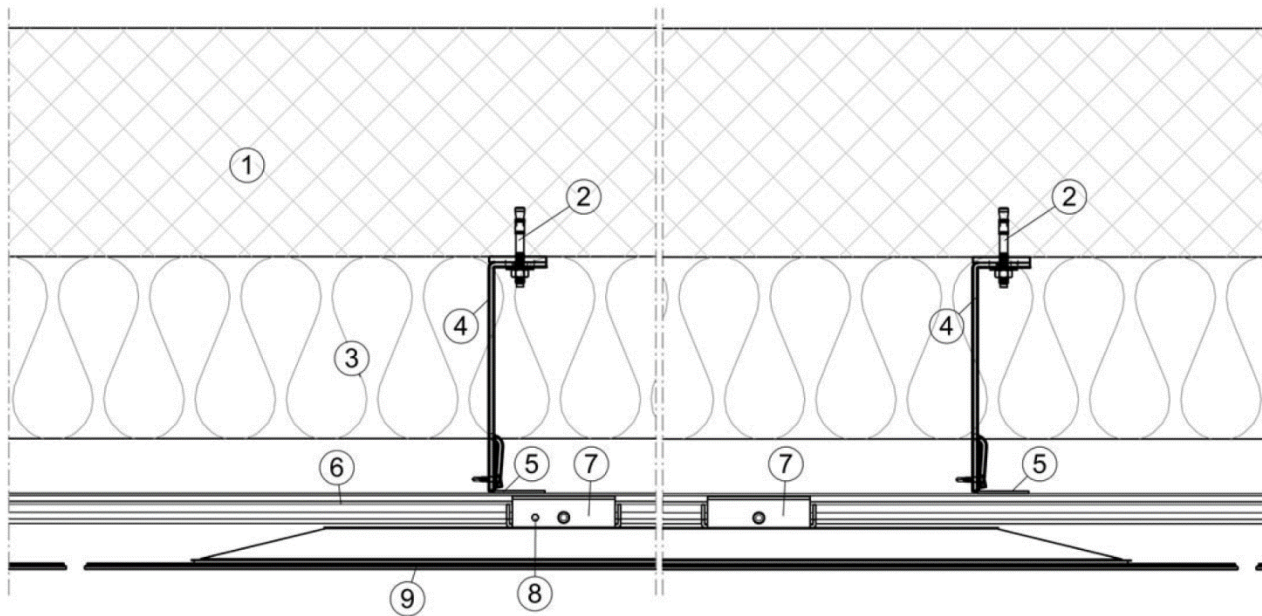
### Portrait situation

- 1 Structure
- 2 Anchorage
- 3 Insulation
- 4 Vertical anchors
- 5 Vertical mounting
- 6 Horizontal agraffe
- 7 Module agraffe
- 8 Screw with washer
- 9 W-Clamp
- 10 AVANCIS gap connector
- 11 Connector
- 12 AVANCIS SKALA module

Substructure system

## BACKRAIL AND AGRAFFE SYSTEM

*Landscape situation – technical drawing:*

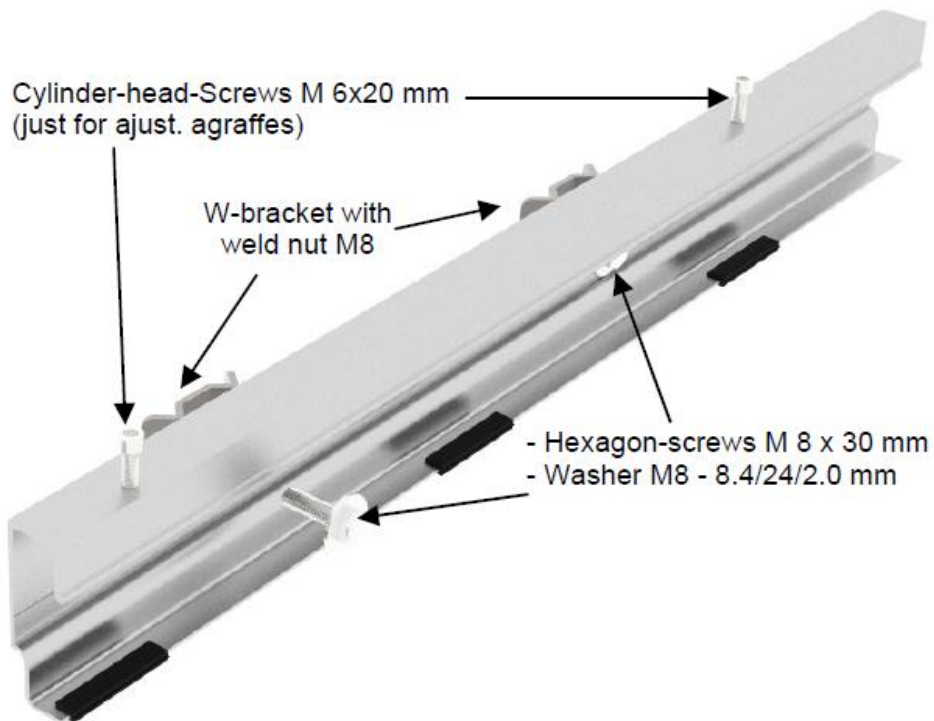


### Landscape situation

- 1 Structure
- 2 Anchorage
- 3 Insulation
- 4 Vertical anchors
- 5 Vertical mounting
- 6 Horizontal agraffe
- 7 Module agraffe
- 8 Migration pin
- 9 AVANCIS SKALA module

## INSTALLING THE SKALA FACADE

### 1. Pre-mounting of the agraffes



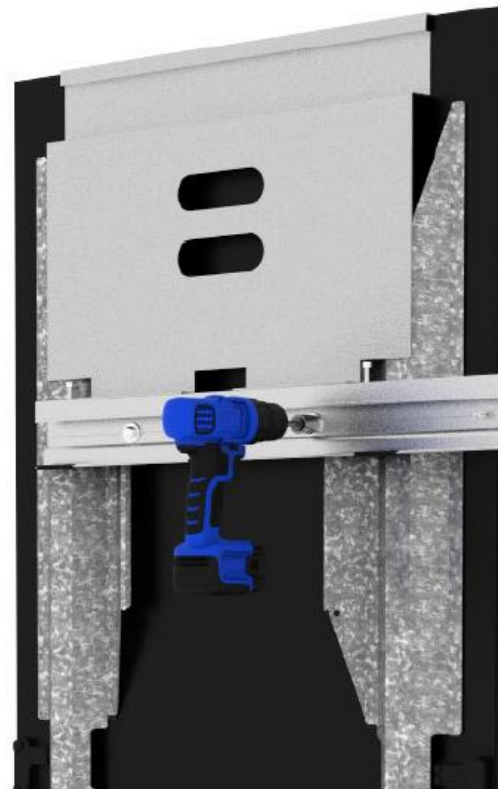
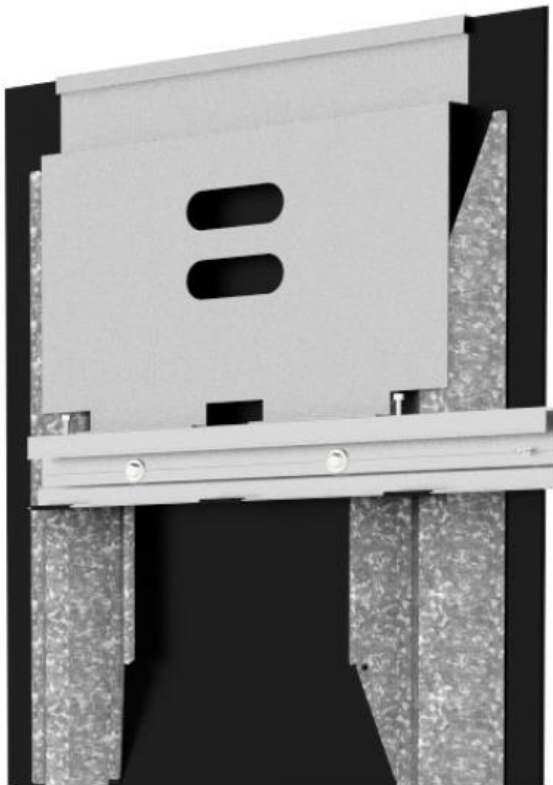
## INSTALLING THE SKALA FACADE

### 2. Mounting of the rigid agraffe (bottom)



## INSTALLING THE SKALA FACADE

### 3. Mounting of the adjustable agraffe (top)



## INSTALLING THE SKALA FACADE

4. Tighten all screws with 20kN

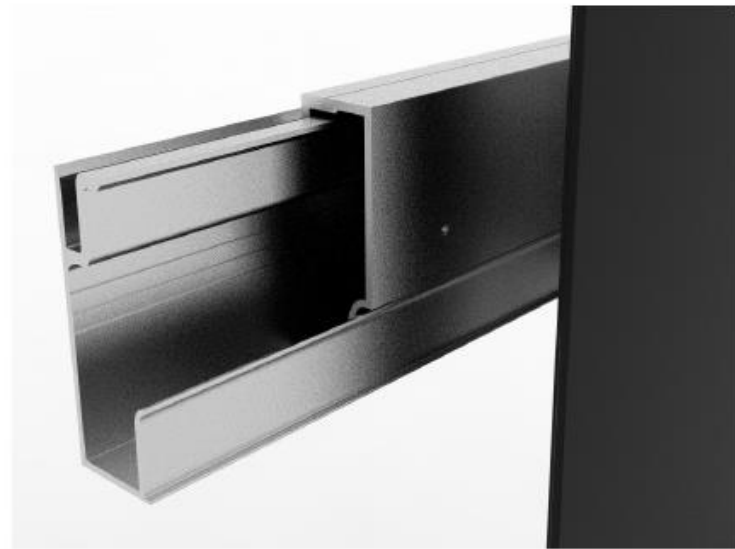
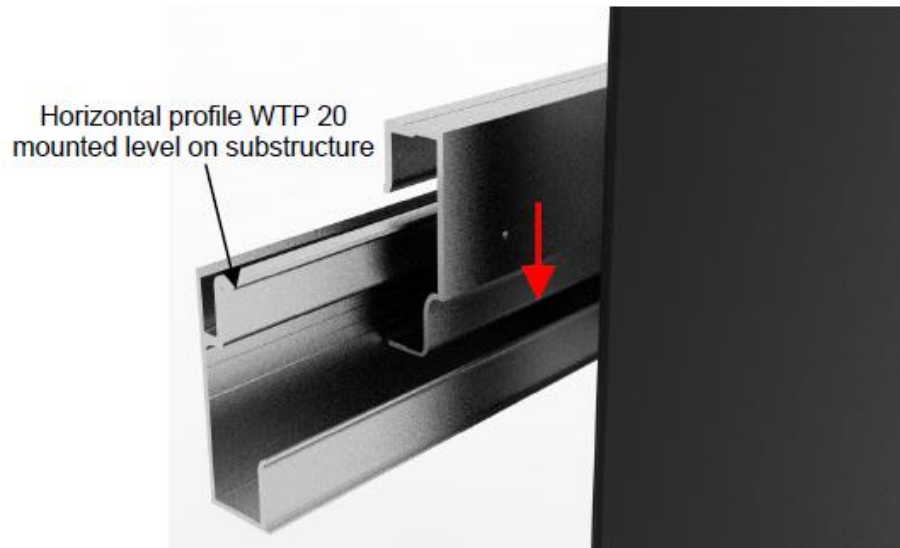


\*a torque wrench is required



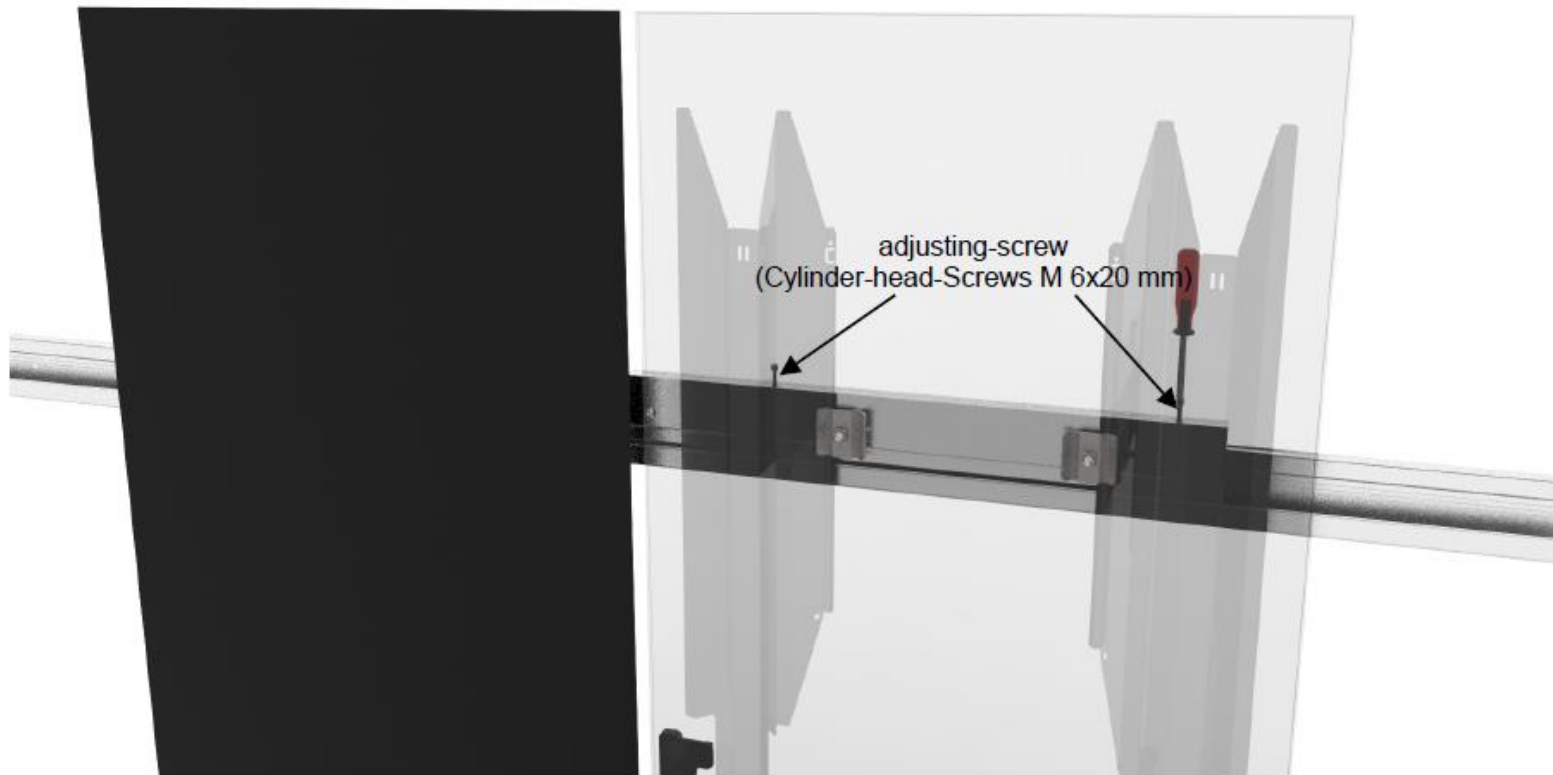
## INSTALLING THE SKALA FACADE

### 5. Mounting the solar panel on the facade



## INSTALLING THE SKALA FACADE

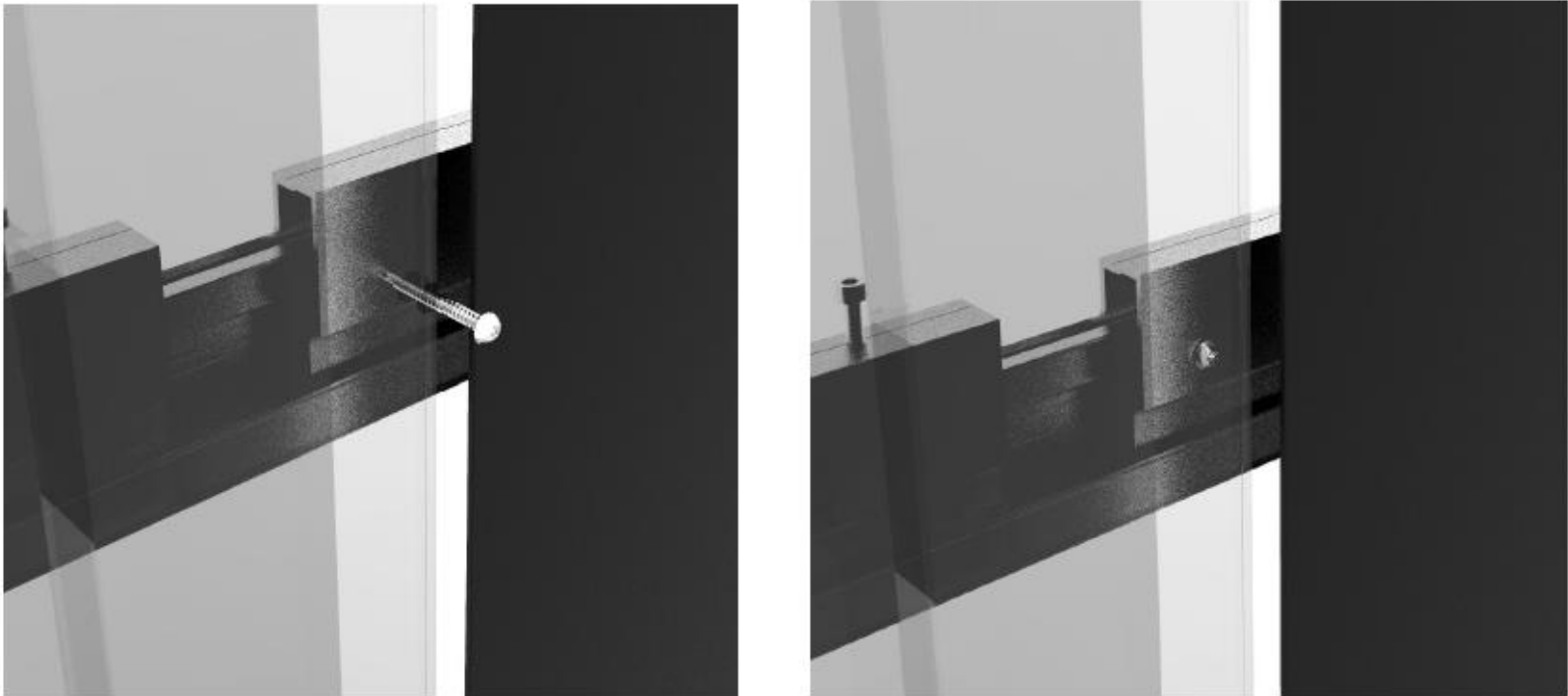
### 6. Adjusting of the panels



Adjust the panels with the adjusting-screw until they are at the same level.

## INSTALLING THE SKALA FACADE

### 7. Attach the module to the facade



Connect the agraffe with the self-drilling-screw 5.5x50 mm through the pre-drilled hole with the horizontal profile.

AVANCIS GmbH  
Solarstraße 3  
04860 Torgau, Deutschland

[www.avancis.de](http://www.avancis.de)  
[sales@avancis.de](mailto:sales@avancis.de)

*Only for internal use.*