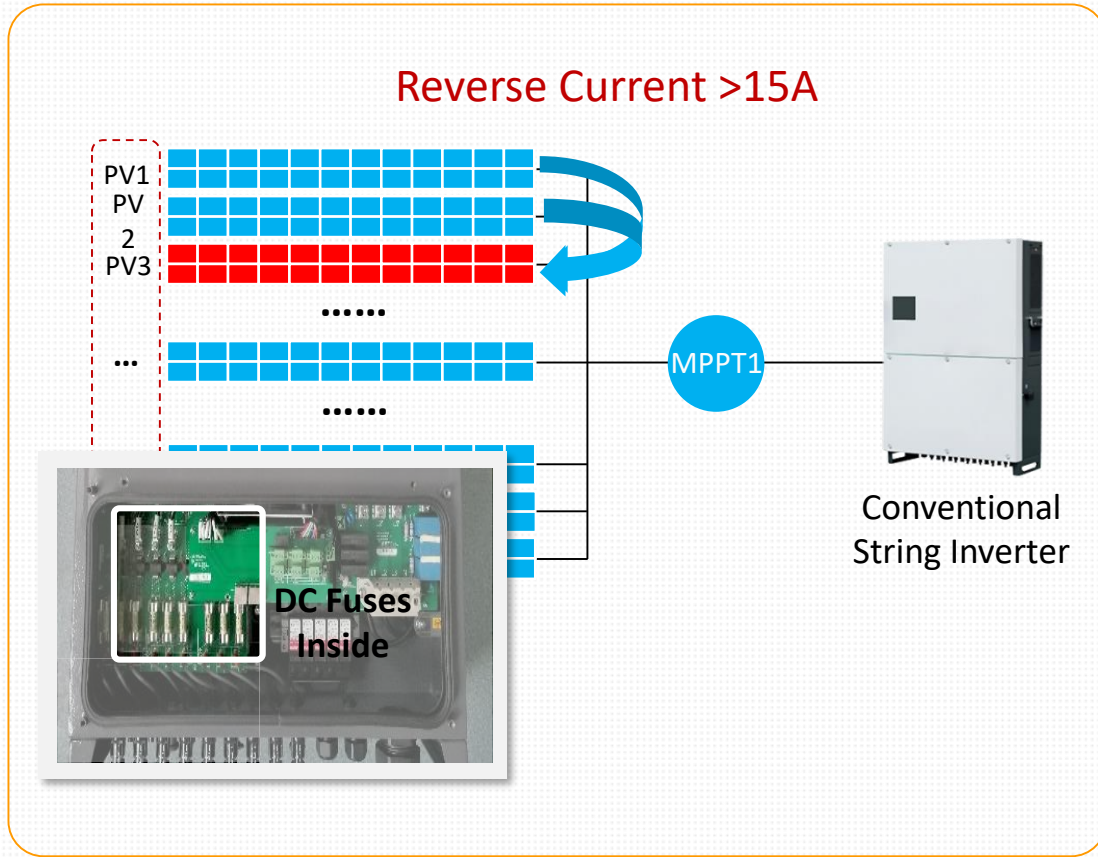


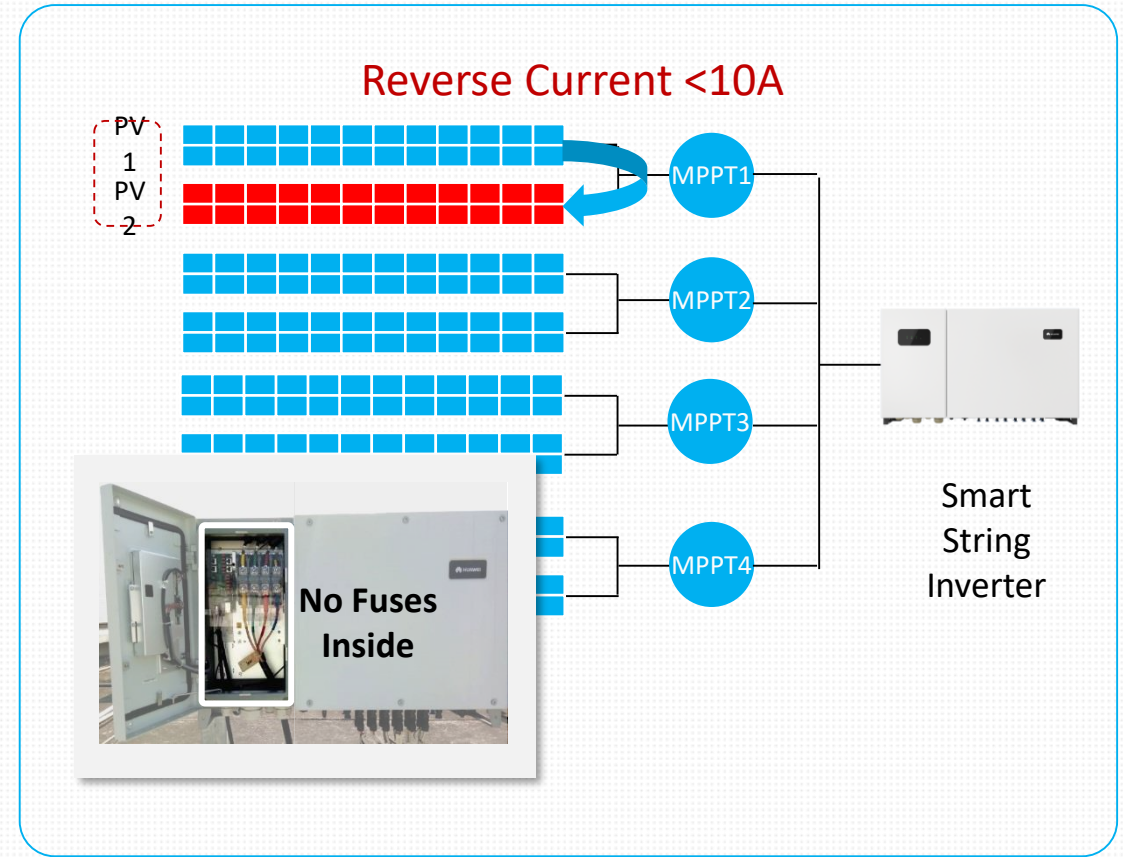
Multi-MPPT Design Exempts Fuse Protection for Strings



≥ 3 strings into 1 MPPT

Fuse failure rate ≈ 1%, Inspection every 6 months

€0.05m Labor Cost & €0.45m Power Loss



Only 2 strings into 1 MPPT

NO fuse needed

Simple O&M & Cost Saving